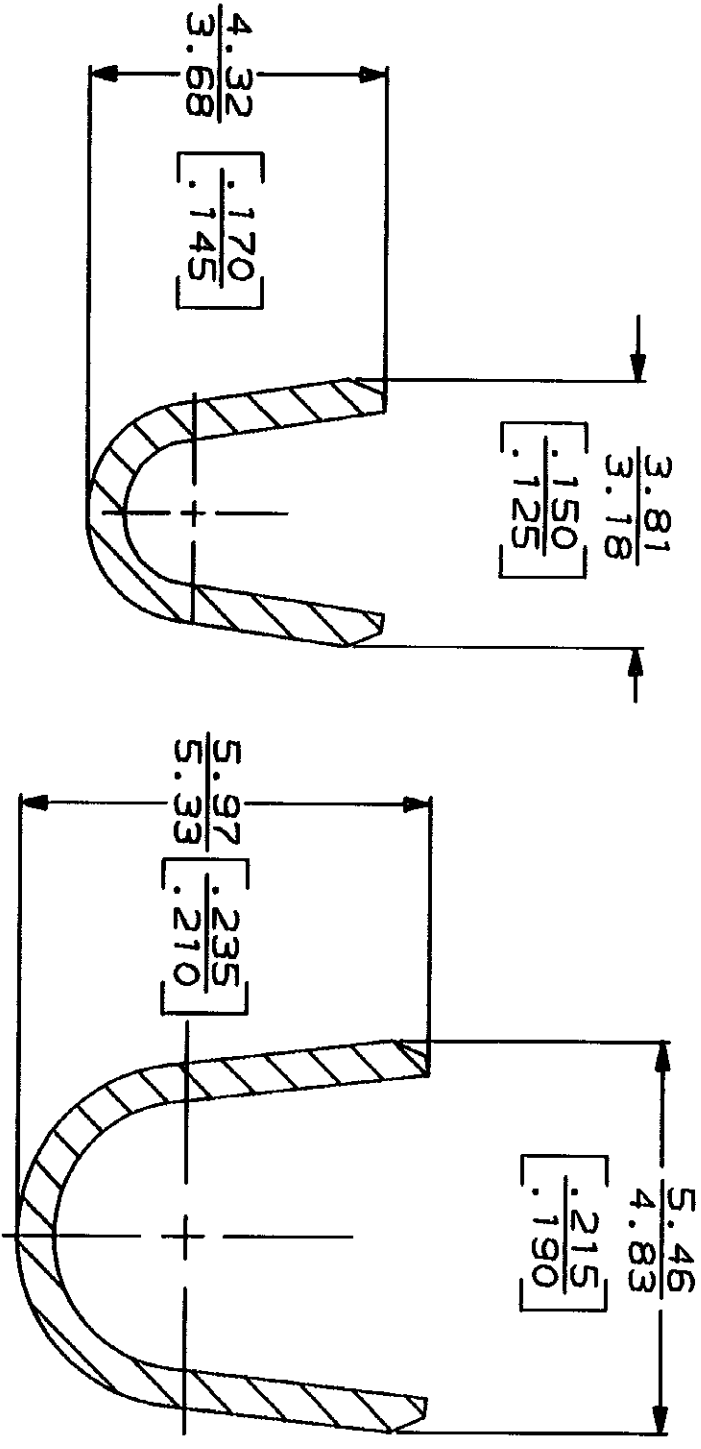
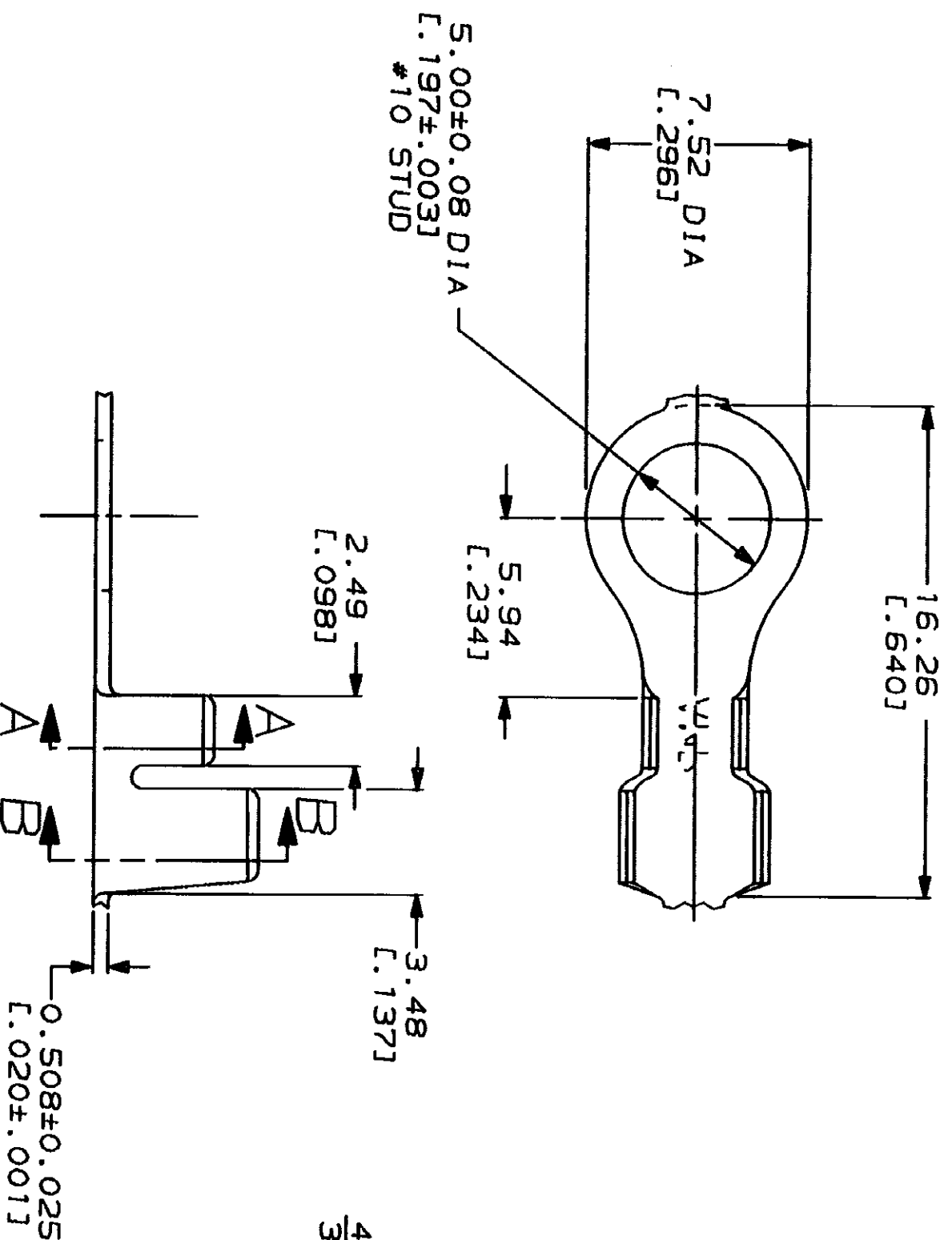


LOC	DIST	P	F	ZONE	LTR	DESCRIPTION	DATE	APPO
AF	50				N	ADD -2 PER ECN 0134-94	3/29/94	PF/GY

REVISIONS	DESCRIPTION	DATE	APPO
1	CONTINUOUS STRIP ON REEL.		
2	P/N 41333-2 IS SAME AS P/N 41333 EXCEPT IS REVERSE REELED.		



METRIC

TYPE	WIDTH	STRIP LENGTH ±0.38 [±.015]	TYPE	WIDTH	±0.051 [E.002] HEIGHT	WIRE
F OR O	4.57 [180]	4.06 [160]	F	3.05 [120]	2.03 [080]	2.0mm [14]
INSUL BARREL CRIMP			WIRE BARREL CRIMP		1.83 [072]	1.3mm [16]
					1.70 [067]	0.8mm [18]

SECTION A-A SCALE 10:1	SECTION B-B SCALE 10:1
3.05-4.32 DIA [L.120-.170]	0.8-2.0mm [18-14] AWG
INSULATION RANGE	WIRE RANGE
	41333-2
	41333
	PART NO

DO NOT SCALE PRINT. DIMENSIONS IN MM (INCHES) TOLERANCES ON: 1 P/LC DEC ± 0.25 (L.010) 2 P/LC DEC ± . 3 ANGLES ± . MATERIAL: 082 BRASS	DR 7/22/91 P PARTNEY CHK 8/8/91 HS FISHER APPO 8/12/91 S VETTER APPO 8/12/91 R REAVILL PRODUCT SPEC	AMP Incorporated Harrisburg, PA 17105-3608
FINISH: 0.002032 [L.000080] MIN TIN PL PER MIL-T-10727	APPLICATION SPEC	AMP RING
WEIGHT -	SCALE B	CAGE CODE 00779
	SCALE 5:1	DRAWING NO 41333
		SHEET 1 OF 1